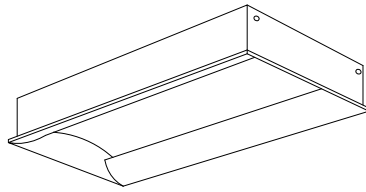
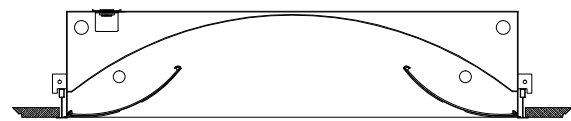




Type
Project



ARLS



APPLICATIONS

The Architectural Luminous Series ARLS is designed for open spaces and individual spaces as an energy efficient general illumination luminaire with a VCP average of 90%. The high transmission opal acrylic diffusers deliver soft even light for offices, schools, retail, healthcare and other open space designs. Office applications yield 1.0 watts per square feet or less with a minimum luminaire efficiency of 80%.

CONSTRUCTION

Precision formed 20 gauge CRS body. The rigid body design is compatible with all suspended ceiling systems. The illuminated sides are made from a heavy gauge opal acrylic for durability and ease of maintenance. Other lens options are available; see Accessories Section.

FINISH

The ARLS Series standard paint finish is a polyester powder coat and is applied after a five stage rust inhibitive process. Matte White is the standard color with a reflectivity of 90%. Refer to Accessories Section for optional colors or materials.

All steel parts are covered by Apollo Lighting's 10 Year Limited Warranty. Refer to Warranty Section for details.

ELECTRICAL

High efficiency electronic ballasts are standard. A wide range of dimming, daylight harvesting, automated building controls, occupancy controls and emergency systems can be specified to meet today's energy code requirements. Refer to Ordering Information Options.

UL required power disconnects are provided for all ballasts. All Apollo Lighting fixtures are UL Listed.

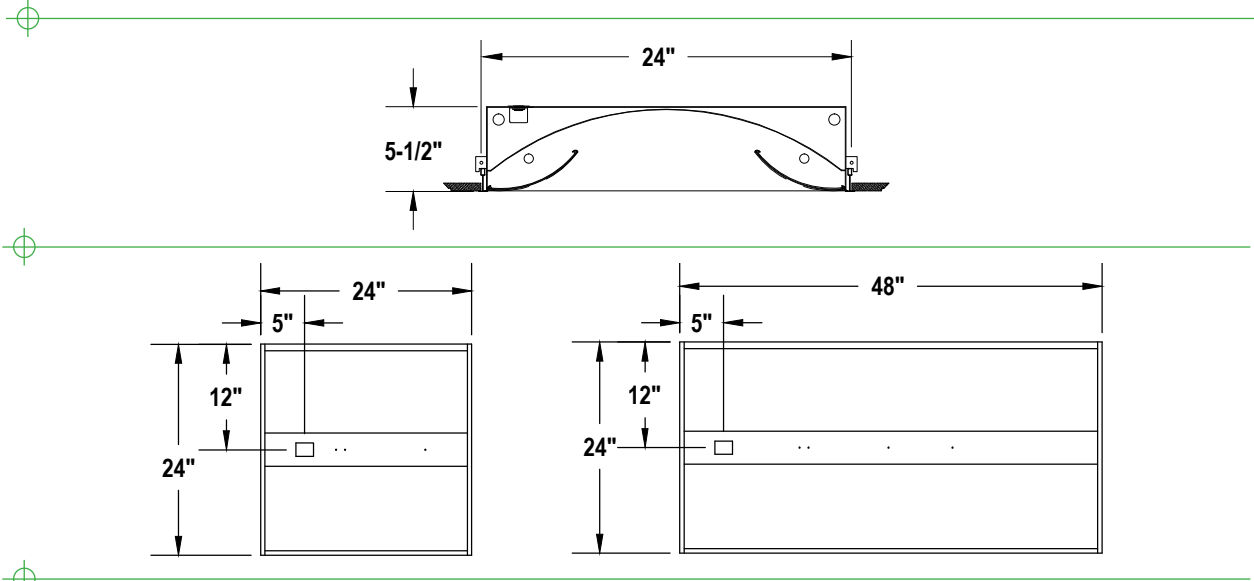


ORDERING INFORMATION

Series	Size	Lamps	Type	Shielding	Mounting	Voltage	Options
ARLS							
ARLS	1 (1X4) 2 (2X2) 4 (2X4)	2 4	T8 T5 T5HO BIAX	OL High Transmission Opal Acrylic CL Custom Lens See Accessories	G 9/16" Grid F Sheetrock Flange SG Slot Grid Other Ceilings Consult Factory	1 (120v) U Universal (120-277v) 2 (277v) Dimming and Controls; see Accessories.	F Fuse EM Emergency Ballast HR Heat Removal



Type
Project



PHOTOMETRIC REPORT ARLS2x2T5HO

COEFFICIENTS OF UTILIZATION

RC	80					70					50					30					10					0										
RW	70	50	30	0	70	50	30	0	70	50	30	0	70	50	30	0	70	50	30	0	70	50	30	0	70	50	30	0	70	50	30	0				
0	1.01	1.01	1.01	1.01	0.98	0.98	0.98	.84	.94	.94	.94	.90	.90	.90	.86	.86	.86	.84																		
1	.91	.86	.82	.79	.88	.84	.81	.69	.81	.78	.75	.77	.75	.72	.74	.72	.70	.68																		
2	.82	.74	.68	.63	.80	.73	.67	.57	.70	.65	.60	.67	.63	.59	.64	.61	.58	.56																		
3	.74	.65	.57	.51	.72	.63	.56	.48	.61	.55	.50	.58	.53	.49	.56	.52	.48	.46																		
4	.68	.57	.49	.43	.66	.56	.48	.41	.54	.47	.42	.52	.46	.41	.50	.45	.41	.39																		
5	.62	.51	.43	.37	.60	.50	.42	.35	.48	.41	.36	.46	.40	.36	.44	.39	.35	.33																		
6	.57	.45	.37	.32	.55	.45	.37	.31	.43	.36	.31	.42	.36	.31	.40	.35	.31	.29																		
7	.53	.41	.33	.28	.51	.40	.33	.27	.39	.32	.28	.38	.32	.27	.37	.31	.27	.25																		
8	.49	.37	.30	.25	.48	.37	.30	.24	.36	.29	.25	.35	.29	.24	.34	.28	.24	.23																		
9	.46	.34	.27	.22	.45	.34	.27	.22	.33	.26	.22	.32	.26	.22	.31	.26	.22	.20																		
10	.44	.32	.25	.20	.42	.31	.25	.20	.30	.24	.20	.29	.24	.20	.29	.24	.20	.18																		

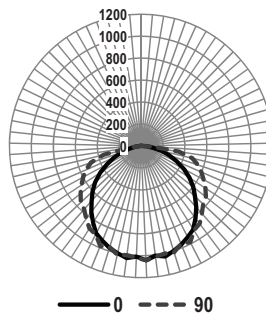
ZONAL LUMEN SUMMARY

Spacing Criteria 0-180: N.A.
Spacing Criteria 90-270: N.A.

ZONE	LUMENS	% LAMP	% FIXT
0-30	814.40	20.4%	24.1%
0-40	1349.30	33.7%	40.0%
0-60	2460.80	61.5%	72.9%
0-90	916.10	22.9%	27.1%
90-120	3376.90	84.4%	100.0%
90-180	0.00	0.0%	0.0%
0-180	3376.90	84.4%	100.0%

Total Luminaire Efficiency = 84.4%

POLAR GRAPH



Note: Apollo Lighting reserves the right to make any design change for continuous improvement which will not change the overall appearance or decrease performance. All ceilings are to be adequately reinforced by others. All fixtures are to be wired by a licensed electrician only. The information contained herein is the sole property of Apollo Lighting and may not be used without prior written consent.



APOLLO LIGHTING creative lighting solutions since 1950
 212 S. 12th Avenue • Mount Vernon, NY 10550
 1-866-300-1294 • Phone: 914.664.3600 • Fax: 914.664.6091
 info@apollolighting.net • www.apollolighting.net

